

TTB Series

Flush Type Captive Neoprene Mountings

Part No.	Axial Static Load Range (Pounds)
TTB-10-500	250 – 500
TTB-10-750	500 – 750
TTB-10-1000	750 – 1000

Features/Benefits

- Static Load Range 250 – 1,000 lbs.
- Normally recommended for vertically applied loads (see note below)
- Low natural frequency (approx. 9 Hz at max. rated load)
- Structureborne noise attenuation
- Low Profile
- Ease of installation
- Fail-safe design

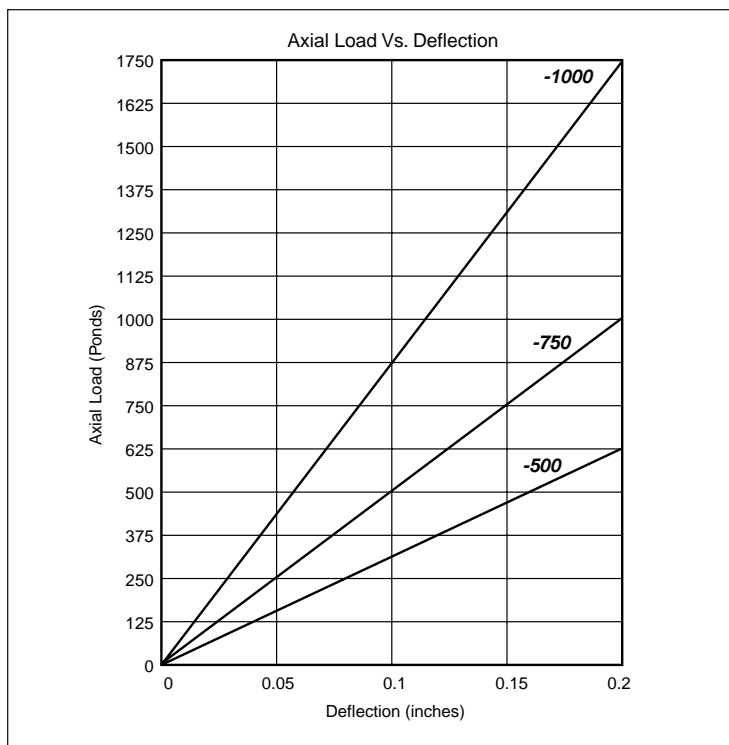
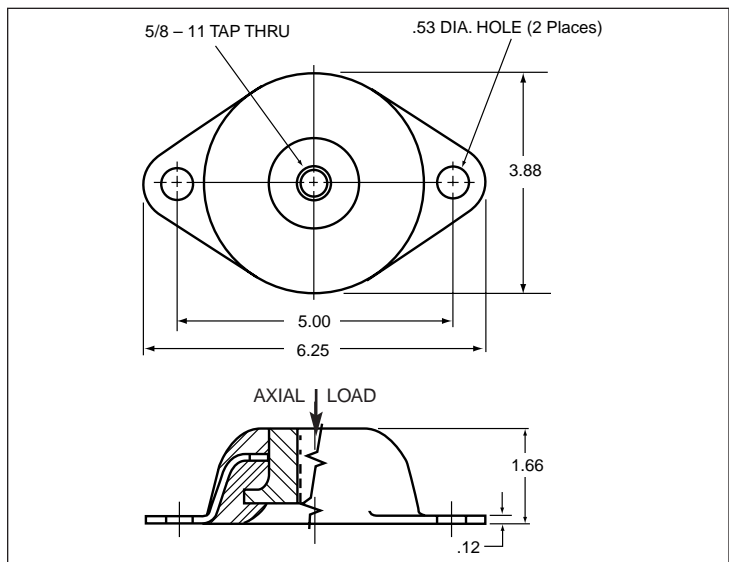
Construction/Material Data

- Structural sections - carbon steel
- Rust resistant coating on metal surfaces
- Neoprene elastomer
 - Resists oils, ozone and most solvents
 - Operating temperature range (-20°F to +180°F)
 - Damping Ratio $C/C_c = .1$ (transmissibility approx. 5:1 at resonance)
- Weight - 1.8 lbs. (approx.)

Applications

- Motor Generators and Compressors
- Electric Motors
- HVAC Equipment
- Mobile Equipment and Machinery
- Centrifuges and Pumps
- In-Plant Machinery

Note: Can be used in tension or shear.
(Consult factory for tension or shear ratings.)



DFA Sales
www.Korfund.com
info@Korfund.com