

# MB Series

## Elastomer Shock and Vibration Mounts

### Features/Benefits

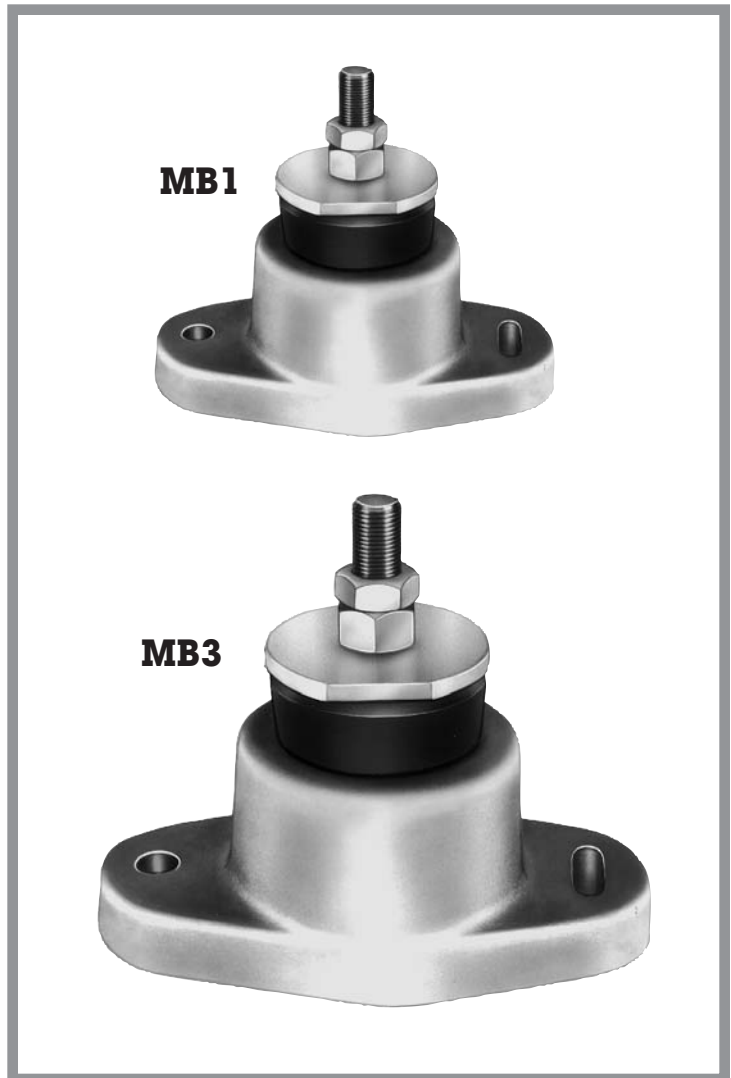
- Static Load Ranges from 30 to 1300 lbs.
- Axial and Radial Loading
- Structureborne noise attenuation
- Fail-Safe Design
- Natural Frequency 12 to 15Hz at max. rated load
- Built-in leveling device
- Furnished as complete assembly for ease of installation

### Construction/Material Data

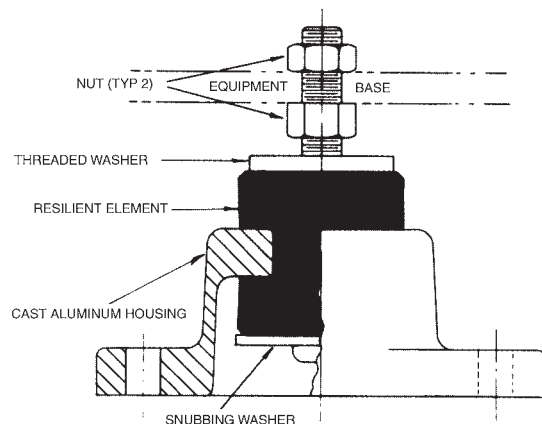
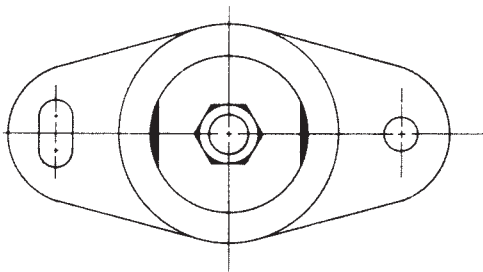
- Housing - cast aluminum, heat treated
- Hardware - carbon steel, zinc plated
- Elastomer - Neoprene
  - Resists oils, ozone and most solvents
  - Operating Temperature (-20°F to +180°F)
  - Damping Ratio  $C/C_c = 0.1$  (transmissibility approx. 5:1 at resonance)

### Applications

- Marine, Vehicular and Stationary Equipment
  - Engine Generators and Compressors
  - Pumps and Centrifuges
  - Electric Motors and Transformers
  - Roof-top equipment subjected to weathering and severe winds
  - Engine/Drive Trains

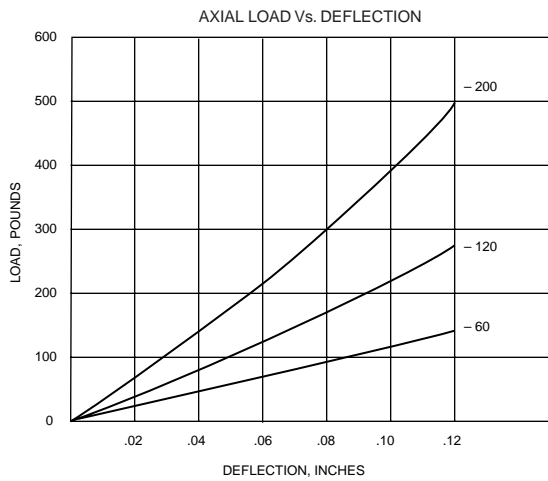
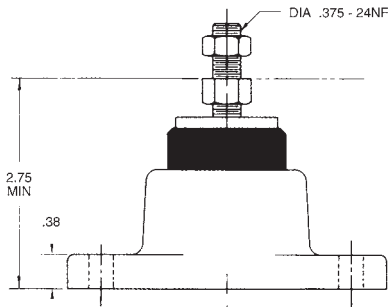
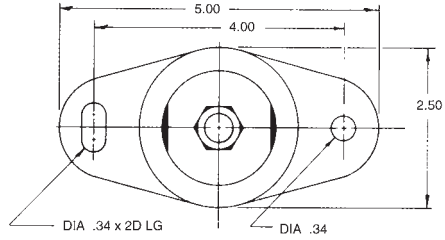


### Installation Configuration



## MB1 Series

Part Number	Axial Static Load, Max. (pounds)	Radial Static Load, Max. (pounds)
MB1-60	60	30
MB1-120	120	40
MB1-200	200	50

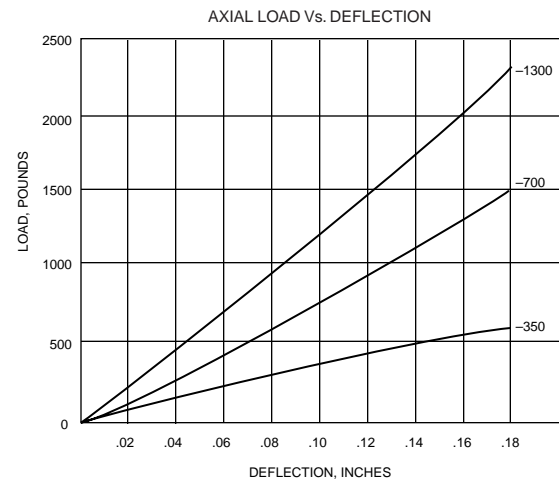
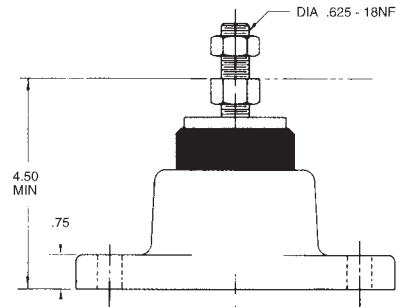
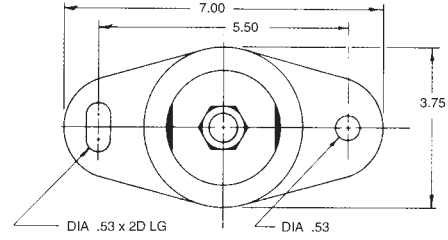


### Load Vs. Natural Frequency

Part Number	Axial Static Load, Max. (pounds)	Approximate Natural Freq. (Hz) (at Max. Load)
MB1-60	60	15
MB1-120	120	15
MB1-200	200	15

## MB3 Series

Part Number	Axial Static Load, Max. (pounds)	Radial Static Load, Max. (pounds)
MB3-350	350	140
MB3-700	700	300
MB3-1300	1300	650



### Load Vs. Natural Frequency

Part Number	Axial Static Load, Max. (pounds)	Approximate Natural Freq. (Hz) (at Max. Load)
MB3-350	350	12
MB3-700	700	12
MB3-1300	1300	12