

LF Series

Low Frequency, Rugged, Elastomer Shock & Vibration Isolation Mounts

Features/Benefits

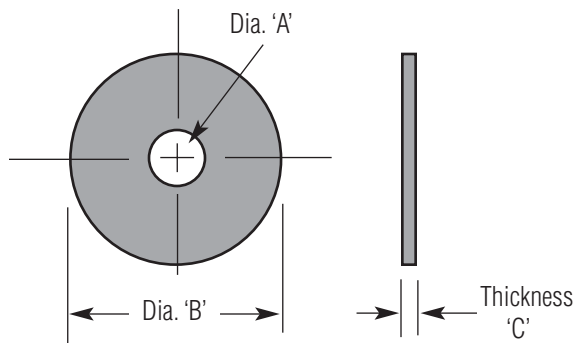
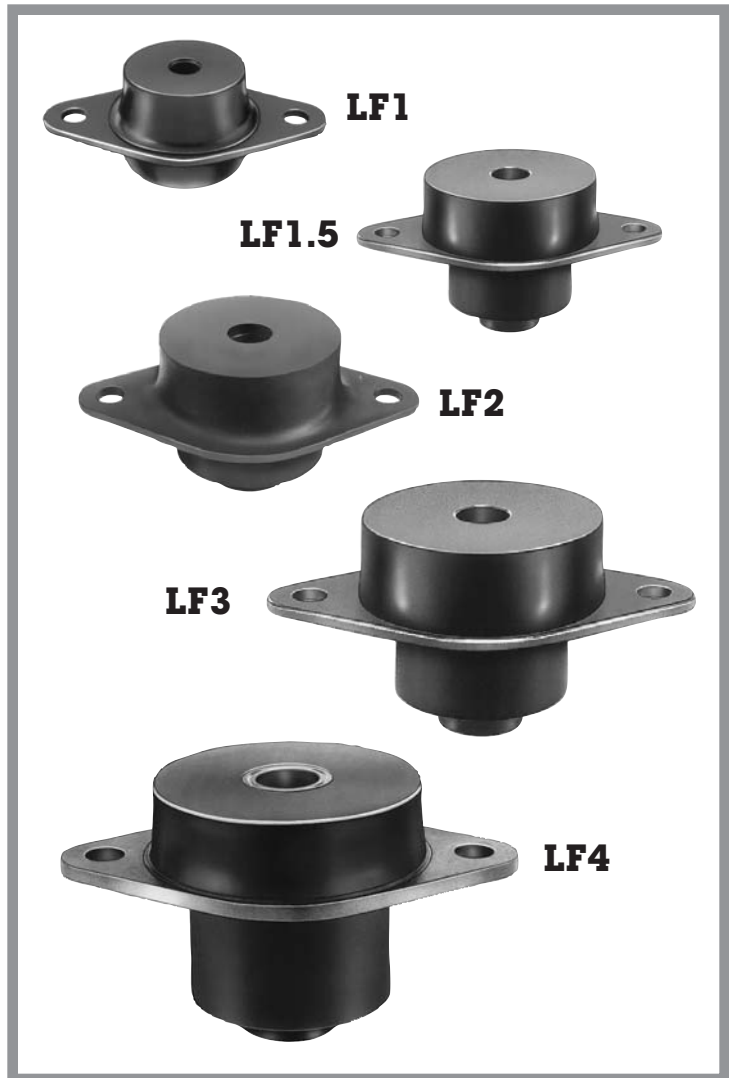
- Static Load Ranges from 40–2800 lbs.
- Low Profile
- Rugged Construction
- All bonded construction
- Axial and radial loading
- Fail-safe design with snubbing washers
- Axial to radial stiffness – approximately 1:1
- Low natural frequency (approx. 10 Hz at max. load)
- Structureborne noise attenuation

Construction/Material Data

- Structural sections – carbon steel/sintered metal
- Corrosion resistant coating on metal surfaces
- Neoprene elastomer
 - Resists oils, ozone and most solvents
 - Operating temperature range (–20°F to +180°F)
 - Damping ratio $C/C_C = 0.1$ (transmissibility approx. 5:1 at resonance)

Applications

- Highway and off-highway vehicles
 - Isolate engines, cabs and radiators
- Motor generators and compressors
- Pumps and centrifuges
- Portable equipment and machinery
- Marine equipment and power plants
- Fans and blowers



LF Series Snubbing Washers*Dimensions

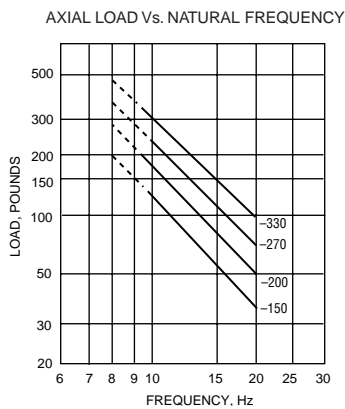
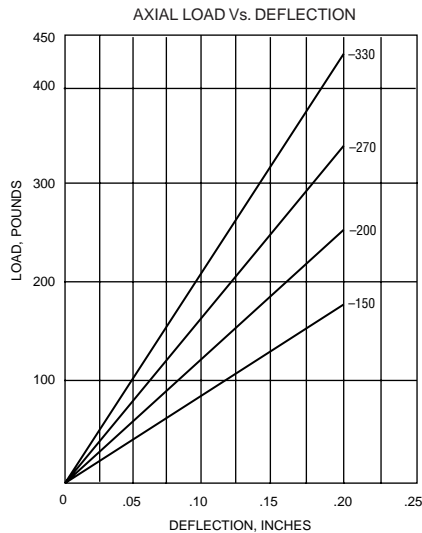
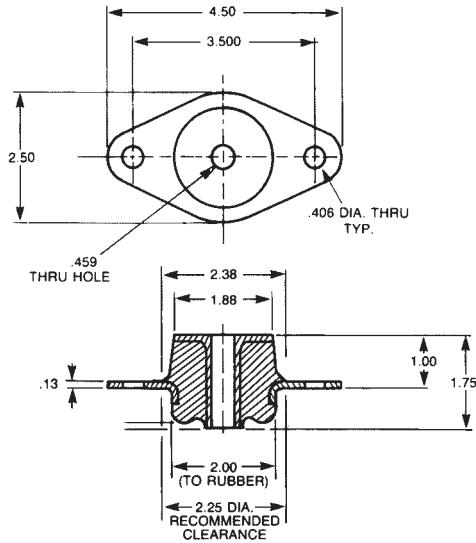
	Dia. 'A'	Dia. 'B'	Thickness 'C'	Part No.
LF1 Series	.45	2.00	.13	148099-5
LF1.5 Series	.51	2.00	.13	148099-18
LF2 Series	.64	2.25	.15	148099-6
LF3 Series	.76	2.50	.18	148099-7
LF4 Series	1.01	3.25	.25	148099-17

* Zinc Plated Carbon Steel



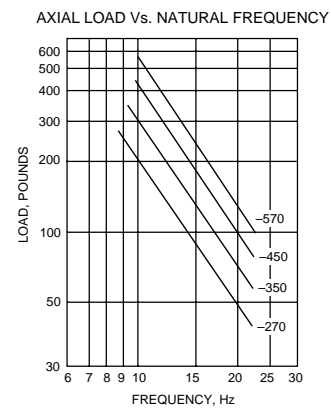
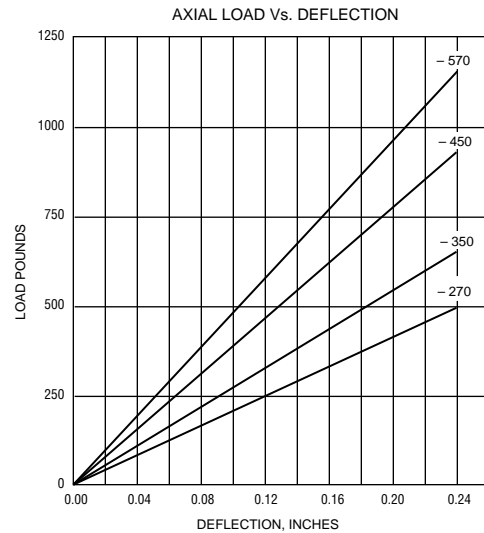
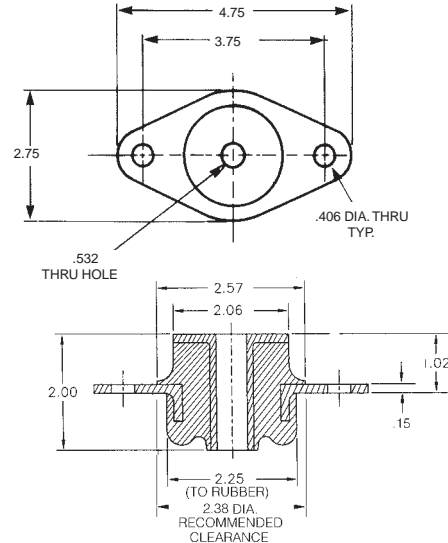
LF1 Series

Part Number	Axial Static Load, Max. (pounds)	Radial Static Load, Max. (pounds)
LF1 - 150	150	100
LF1 - 200	200	150
LF1 - 270	270	180
LF1 - 330	330	220



LF1.5 Series

Part Number	Axial Static Load, Max. (pounds)	Radial Static Load, Max. (pounds)
LF1.5 - 270	270	180
LF1.5 - 350	350	230
LF1.5 - 450	450	300
LF1.5 - 570	570	380



DFA Sales

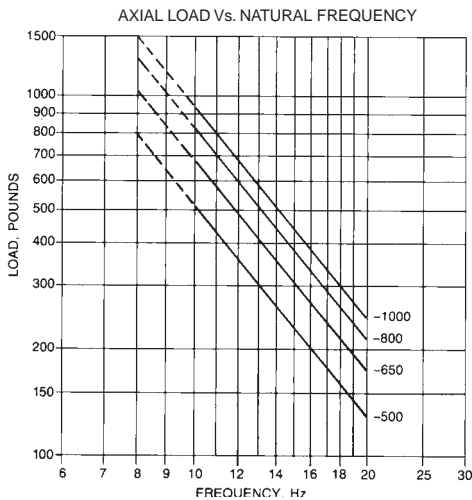
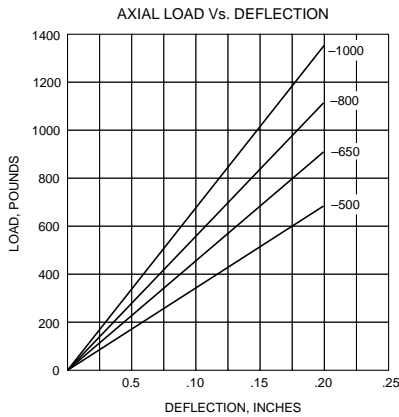
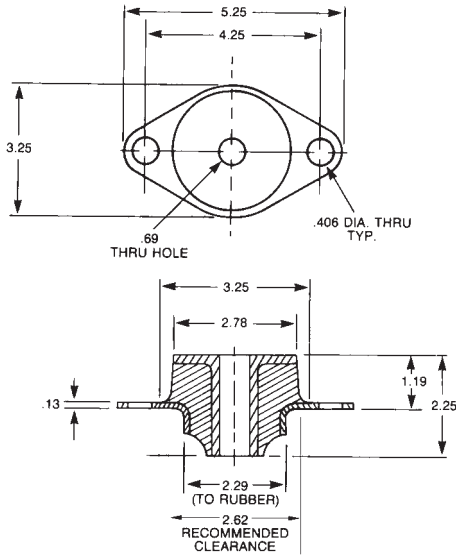
www.Korfund.com

info@Korfund.com

KORFUND DYNAMICS

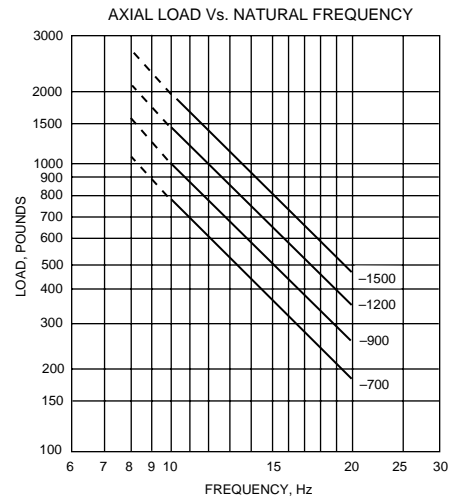
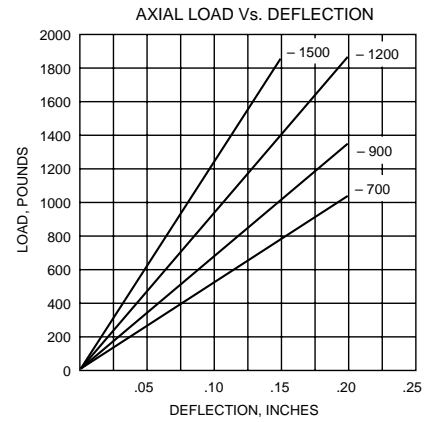
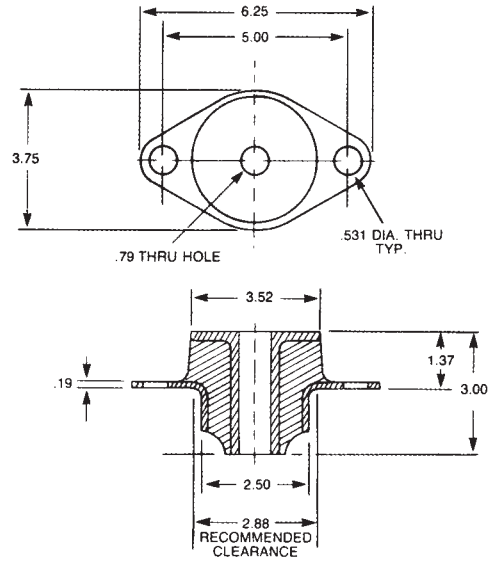
LF2 Series

Part Number	Axial Static Load, Max. (pounds)	Radial Static Load, Max. (pounds)
LF2 - 500	500	330
LF2 - 650	650	430
LF2 - 800	800	530
LF2 - 1000	1000	660



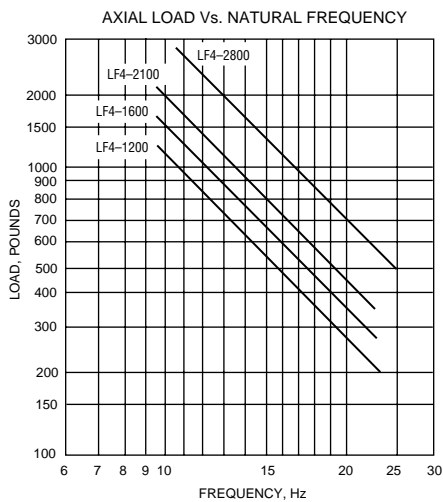
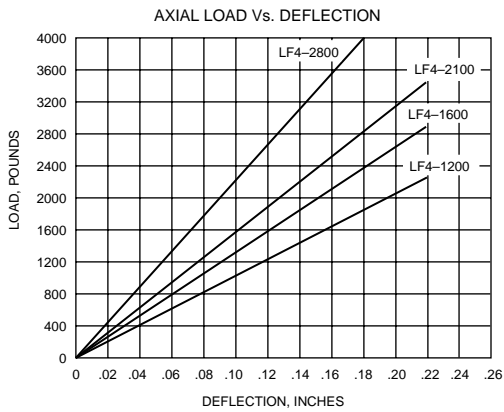
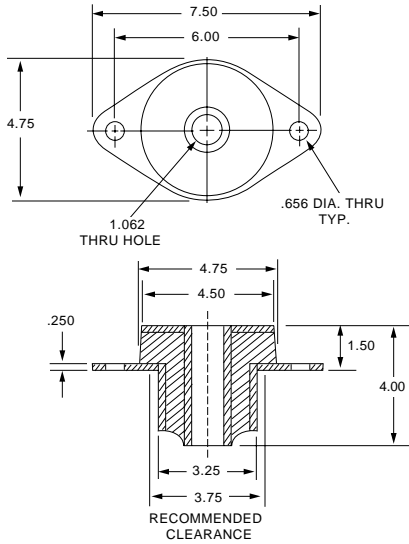
LF3 Series

Part Number	Axial Static Load, Max. (pounds)	Radial Static Load, Max. (pounds)
LF3 - 700	700	450
LF3 - 900	900	600
LF3 - 1200	1200	800
LF3 - 1500	1500	1000



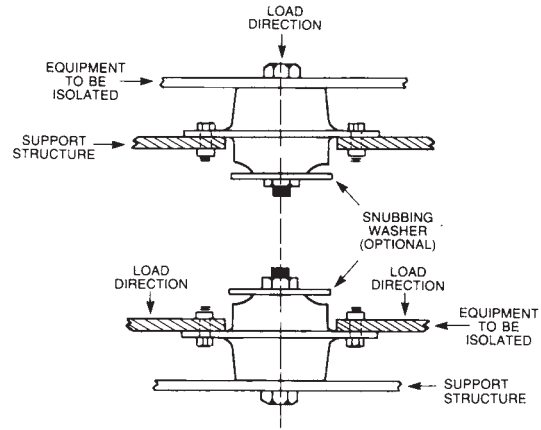
LF4 Series

Part Number	Axial Static Load, Max. (pounds)	Radial Static Load, Max. (pounds)
LF4 - 1200	1200	800
LF4 - 1600	1600	1000
LF4 - 2100	2100	1400
LF4 - 2800	2800	1800

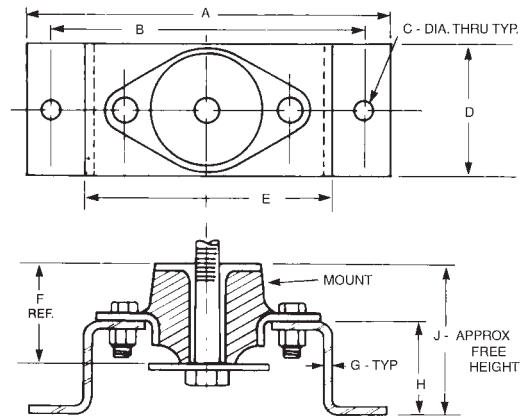


LF Series Installation Data

Installation Configurations



Optional Standoff Mounting



Dimensions

Mount	A	B	C	D	E	F	G	H	J
LF1	9.00	7.50	0.44	3.00	5.50	1.75	0.19	1.75	2.75
LF1.5	NOT CURRENTLY AVAILABLE								
LF2	10.00	8.50	0.53	3.75	6.50	2.25	0.25	2.25	3.44
LF3	11.00	9.50	0.56	4.00	7.50	3.00	0.31	3.00	4.37
LF4	NOT CURRENTLY AVAILABLE								

Mount Standoff Part No.

LF1	168600-1
LF2	168600-2
LF3	168600-3

Material:

Gray Cast Iron per ASTM A48-83, Class 30



DFA Sales

www.Korfund.com
info@Korfund.com

LFS1 Series Low Frequency, Snubbed Elastomer Vibration Isolation Mounts

LFS1 Series

The LFS1 series is a rugged, low profile type mount which can be focused to decouple a system for better stability and isolation. This series will handle light load ranges for a variety of applications including small engines, pumps, compressors and generators for either stationary or mobile environments. The mount is fail-safe when used with the recommended snubbing washer.

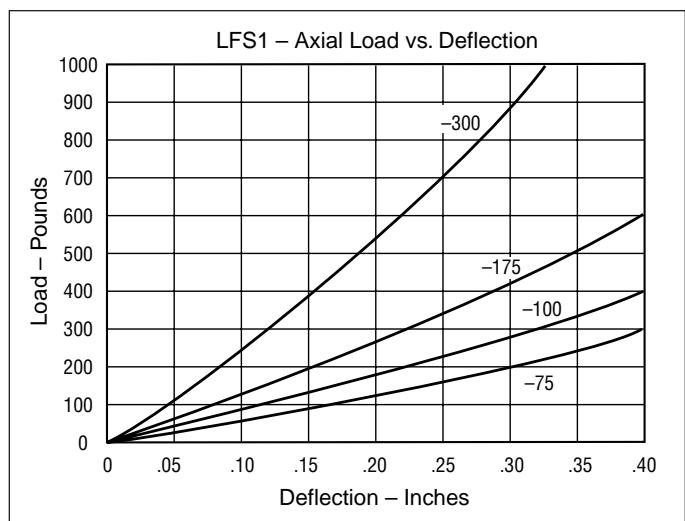
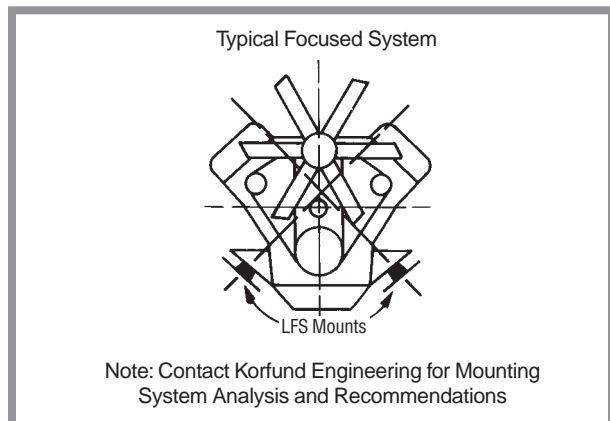
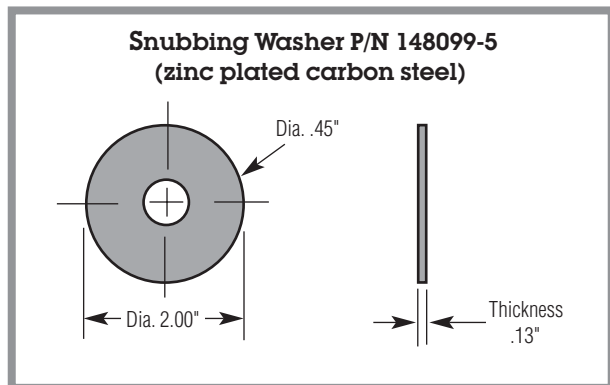
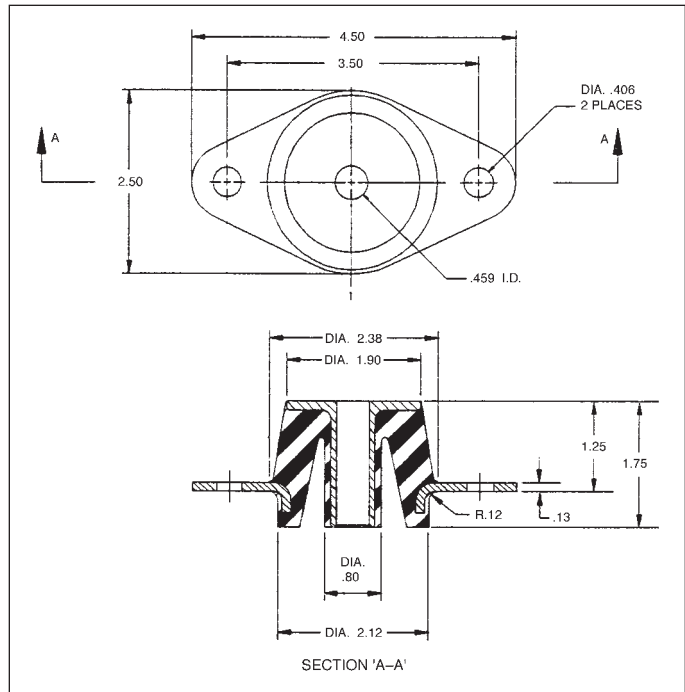
At maximum rated load, the mount exhibits an axial natural frequency of about 9.5 Hz.

Standard elastomer is neoprene for resistance to oils, ozone, and most solvents.

Part Number	Max. Axial Load (lbs.)	Deflection at Max. Load (in.)
LFS1-75	75	.12
LFS1-100	100	.12
LFS1-175	175	.12
LFS1-300	300	.12

Notes:

1. Structural sections – carbon steel
2. Rust-resistant coating on metal surfaces
3. Axial to radial stiffness ratio approx. 5:1
4. Weight: Approx. .5 lbs.



DFA Sales

www.Korfund.com
info@Korfund.com

LLF Series

Low-Low Frequency Elastomer Vibration Isolation Mounts

Part Number	Axial Load Range (lbs.)	Deflection at Max Load (in.)
LLF-400	250-400	.15
LLF-700	400-700	.15
LLF-1000	700-1000	.15
LLF-1300	1000-1300	.15

Features/Benefits

- Static Load Range 250 –1300 lbs.
- Low Profile
- Rugged Construction
- All bonded construction
- Fail-safe design with built-in snubbing washer
- Axial to radial stiffness – approximately 1:3.5
- Low natural frequency (approx. 8 Hz at max. load)
- Structureborne noise attenuation

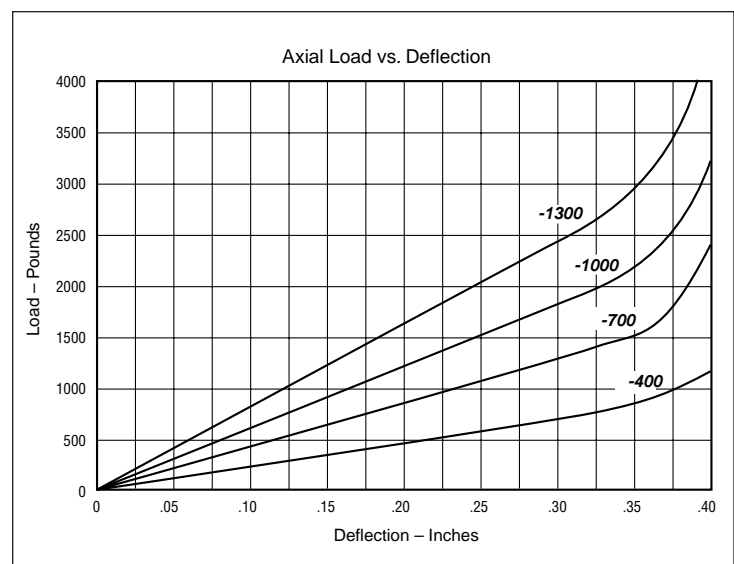
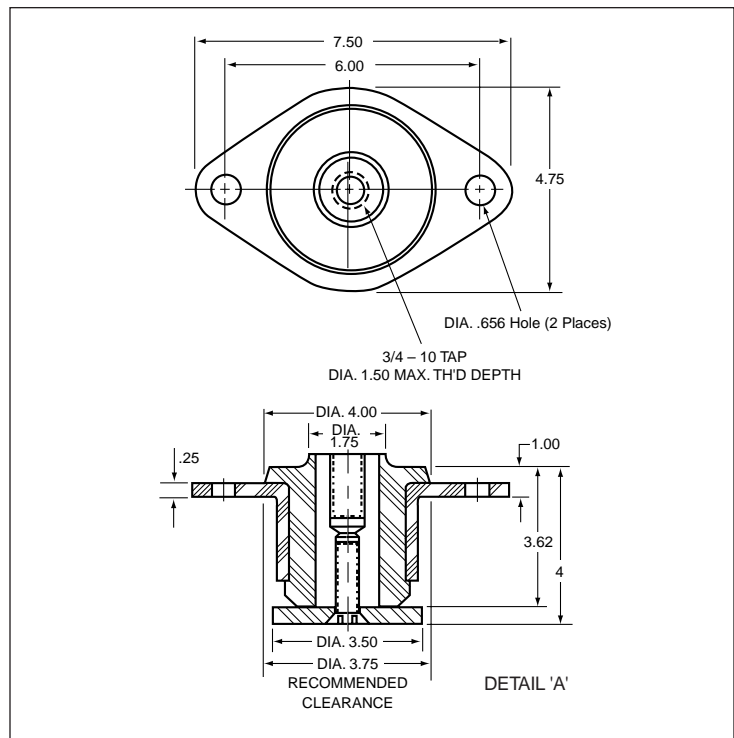
Construction/Material Data

- Structural sections – carbon steel/sintered metal
- Corrosion resistant coating on metal surfaces
- Neoprene elastomer
 - Resists oils, ozone and most solvents
 - Operating temperature range (-20°F to +180°F)
 - Damping ratio $C/C_C = 0.1$ (transmissibility approx. 5:1 at resonance)
- Weight - 6 lbs. (approx.)

Applications

- Highway and off-highway vehicles
 - Isolate engines, cabs and radiators
- Motor generators and compressors
- Pumps and centrifuges
- Portable equipment and machinery
- Marine equipment and power plants
- Fans and blowers

Note: Mount is provided with snubbing washer attached as shown in Detail 'A'



DFA Sales
www.Korfund.com
info@Korfund.com