

GR/GC Series

Low Profile, All Attitude Shock & Vibration Isolators

Features/ Benefits

- 7 Load Ratings to 50 lbs./mt.
- All attitude mounting
- Structureborne noise isolation
- Nominal 30 Hz natural frequency
- Plate or cup configuration
- Rugged lightweight construction
- Low profile configuration
- Fail-safe construction
- Silicone or neoprene elastomer

Typical Applications

- Airborne, shipboard and vehicular electronics
- Small motors, pumps and compressors
- Fans and blowers
- Electronic and computer equipment
- Appliances

Elastomeric Selection/Capabilities

Requirement	Silicone	Neoprene
Temperature Range	-80°F to 300°F	-20°F to 180°F
Approx. Damping Factor (C/Cc)	0.15	0.10
Oil Resistance	Good	Good
Ozone Resistance	Excellent	Good
Heat Aging Resistance	Excellent	Good



DFA Sales

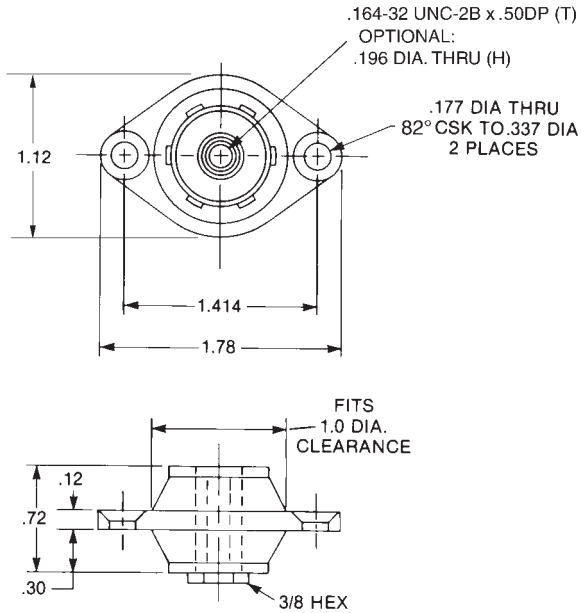
www.Korfund.com

info@Korfund.com

GR2 Series

Max. Load/Mount (lbs)	Plate Type/ Tapped Core	Plate Type/ Thru Core
5.0	GR2-5T()	GR2-5H()
7.0	GR2-7T()	GR2-7H()
10.0	GR2-10T()	GR2-10H()

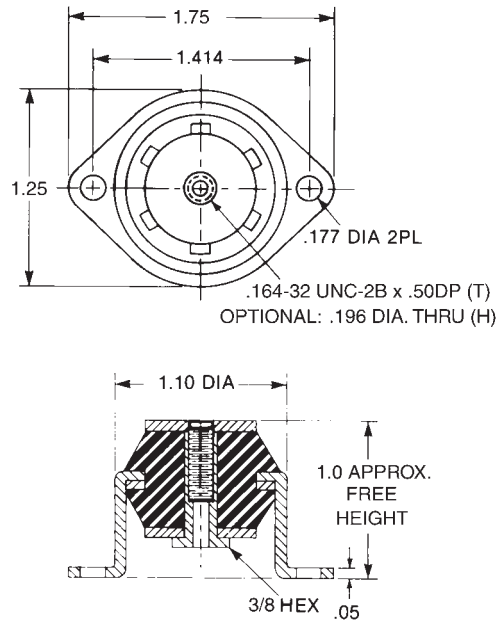
Fill in () **S** - Silicone or **N** - Neoprene
Approx weight - .042 lbs.



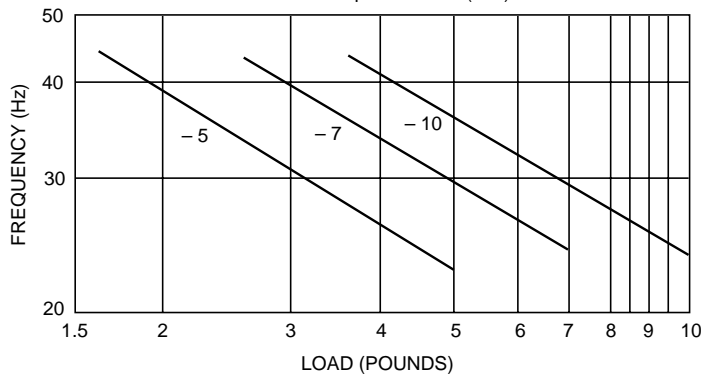
GC2 Series

Max. Load/Mount (lbs)	Cup Type/ Tapped Core	Cup Type/ Thru Core
5.0	GC2-5T()	GC2-5H()
7.0	GC2-7T()	GC2-7H()
10.0	GC2-10T()	GC2-10H()

Fill in () **S** - Silicone or **N** - Neoprene
Approx weight - .042 lbs.



LOAD/NATURAL FREQUENCY
Vibration Input - .036 in (D.A)



DFA Sales

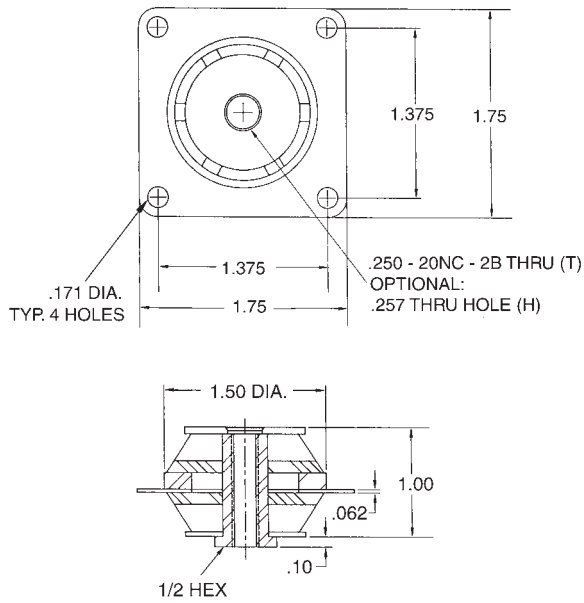
www.Korfund.com

info@Korfund.com

GR3 Series

Max Load/Mount lbs.		Plate Type/ Tapped Core	Plate Type/ Thru Core
Stationary	Vehicular		
15	7	GR3-15T()	GR3-15H()
25	11	GR3-25T()	GR3-25H()
35	17	GR3-35T()	GR3-35H()
50	30	GR3-50T()	GR3-50H()

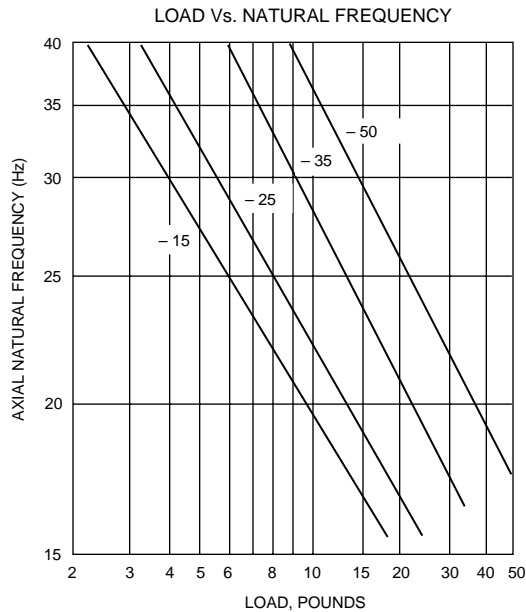
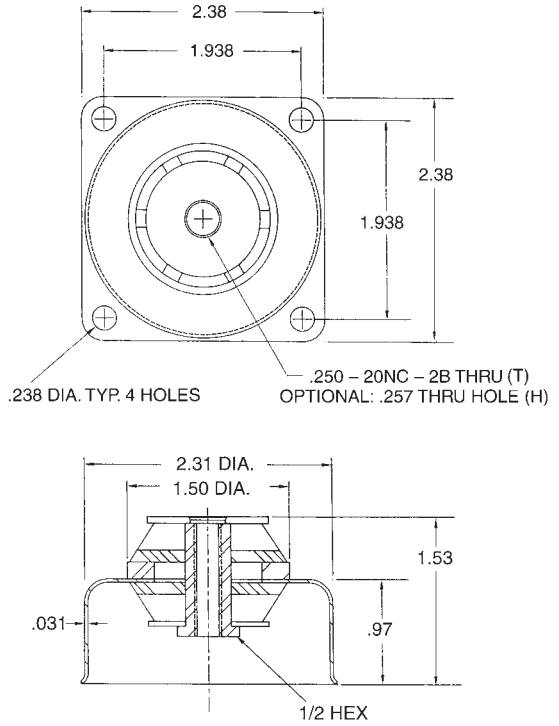
Fill in () **S** - Silicone or **N** - Neoprene
 Approx weight - 0.2 lbs.



GC3 Series

Max Load/Mount lbs.		Plate Type/ Tapped Core	Plate Type/ Thru Core
Stationary	Vehicular		
15	7	GC3-15T()	GC3-15H()
25	11	GC3-25T()	GC3-25H()
35	17	GC3-35T()	GC3-35H()
50	30	GC3-50T()	GC3-50H()

Fill in () **S** - Silicone or **N** - Neoprene
 Approx weight - 0.2 lbs.



DFA Sales

www.Korfund.com
 info@Korfund.com