

# CM Series

## Elastomeric Shock & Vibration Mounts for Mobile Applications

Elastomeric cup mounts provide superior shock and vibration isolation for a variety of applications, environments, and mounting configurations.

### Features/Benefits

- Load Range from 5 – 110 lbs.
- Low profile, fail-safe design
- Rugged lightweight construction
- All attitude mounting
- Structureborne noise isolation
- Nominal 30 Hz natural frequency
- Available in Steel or Aluminum housing
- Neoprene or Silicone elastomer element

### Construction/Material Data

- Structural sections, cold rolled steel, zinc plated, or aluminum with chemical coat per MIL-C-5541
- Neoprene elastomer:
  - Resists oils, ozone and most solvents
  - Good heat aging resistance
  - Operating temperature range (-20°F to +180°F)
  - Damping ratio  $C/C_C = .10$
- Silicone elastomer:
  - Resists oils, ozone and most solvents
  - Excellent heat aging resistance
  - Operating temperature range (-80°F to +300°F)
  - Damping ratio  $C/C_C = .15$

### Applications

- Airborne avionics
- Shipboard and vehicular electronics
- Motor generator sets
- Pumps and compressors
- Camera systems
- Fans and blowers
- Control panels



**CM1**



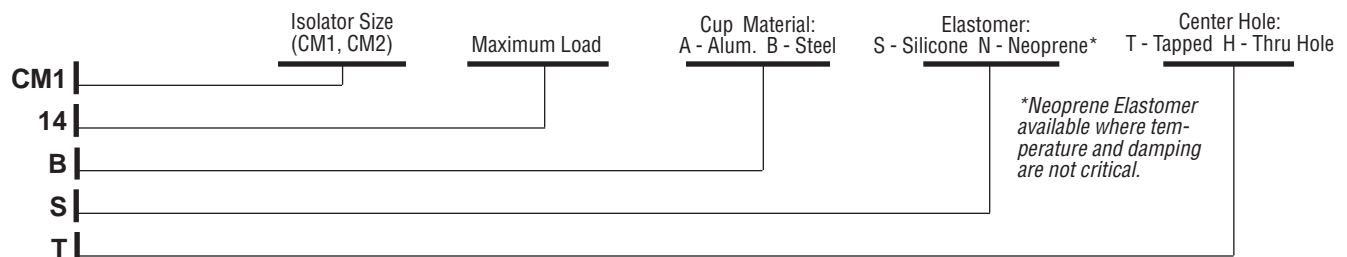
**CM2**



**DFA Sales**

www.Korfund.com  
info@Korfund.com

### Cup Mount Selection Guide - Part Numbering Code (Typical P/N Code: CM1-14 BST)

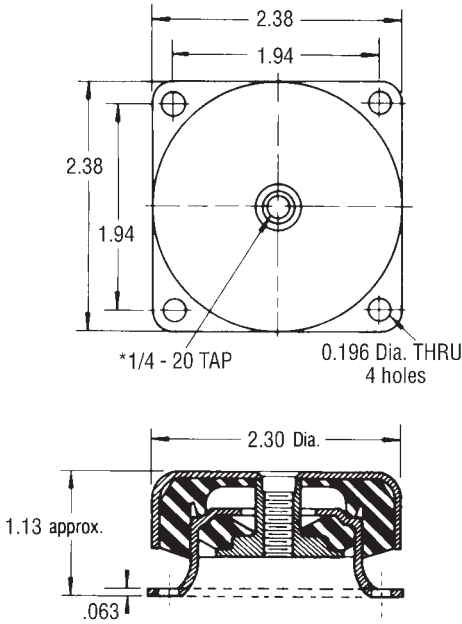


# CM1 Series

Part Number	Max. Mobile Load (Pounds)	Max. Stationary Load (Pounds)
CM1-5*	5	8
CM1-14	14	20
CM1-24	24	30
CM1-38	38	70
CM1-60	60	100

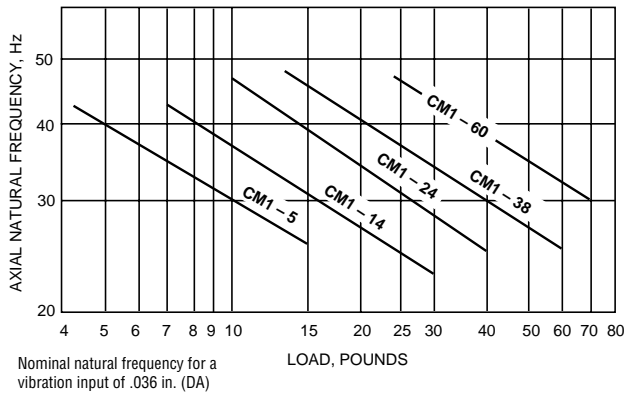
\*Available in silicone only

Weight: 5½ oz. (Steel)  
3½ oz. (Alum.)



\*Available with .264/.271 free hole

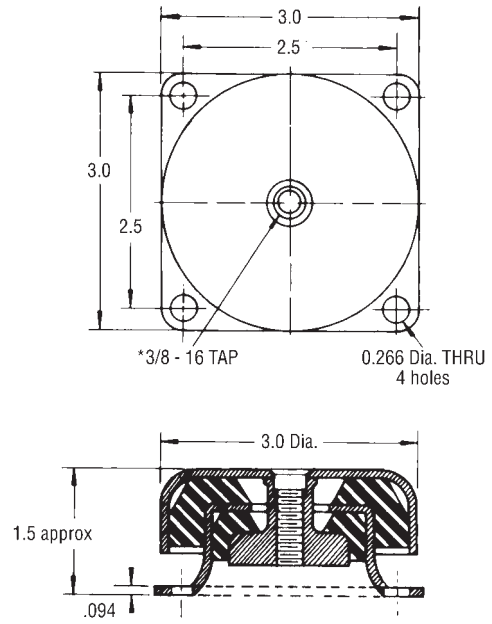
AXIAL LOAD Vs. FREQUENCY



# CM2 Series

Part Number	Max. Mobile Load (Pounds)	Max. Stationary Load (Pounds)
CM2-30	30	50
CM2-50	50	100
CM2-80	80	150
CM2-110	110	250

Weight: 14 oz. (Steel)  
8½ oz. (Alum.)



\*Available with .405/.412 free hole

AXIAL LOAD Vs. FREQUENCY

