

B/C/D SERIES

UP TO 2.00"
DEFLECTION
60 - 26,000 LB
LOAD RANGE



DFA Sales
www.Korfund.com
info@Korfund.com

APPLICATIONS



SPRING-FLEX MOUNTINGS

B/C/D Series Spring-Flex mountings are extremely versatile vibration control isolators for use under engine gensets, industrial machinery, pumps, compressors, chillers, fans, and other HVAC equipment. The B/C/D Series are offered in several standard versions that provide a wide range of installation options - internal or external level adjustments, elastomeric snubbing for side loads, steel or cast aluminum housings, and many mounting choices.

The B/C/D Series feature telescoping housings with up to 20 springs - providing superior isolation capabilities over a variety of applications. The series include resilient inserts that act as upper and lower housing guides and prevent metal-to-metal contact. Replaceable elastomeric acoustical non-skid pads are attached to the bottom of the housings.

The BP/CP/DP types offer a centrally located positioning pin and internal adjustments that permit installation anywhere regardless of accessibility or the location of bolt holes in the equipment. The BT/CT/DT types add non-skid, ribbed elastomeric pads bonded to the top and bottom of the housings for increased stability under equipment that does not require bolting.

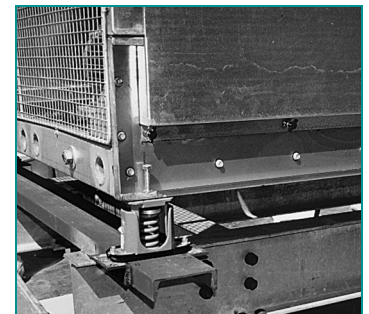
The housings are made of cast steel or welded steel for optimum strength and durability. All hardware is stainless steel or zinc-plated. Lightweight cast aluminum housings with electroplated hardware and springs are available for applications where mounting weights are a concern. The all-steel springs are color-coded for easy identification and offer a powder-coated finish for improved corrosion resistance.

FEATURES & BENEFITS

- Eight housing sizes and several mounting options - with or without bolts - permit superior versatility over a wide range of applications.
- Cast steel or welded steel housings offer exceptional durability.
- Internal or external leveling permits installation anywhere regardless of accessibility or the location of bolts in the machine base or foundation.
- Telescoping housing provides lateral resistance.
- Color-coded springs provide easy identification for installation and inspection.
- A powder-coated finish on the springs offers improved corrosion resistance.

APPLICATIONS

- Air handling units
- Air conditioners
- Chillers
- Engine gensets
- Compressors
- Pumps
- Condensers



SPRING MOUNTS

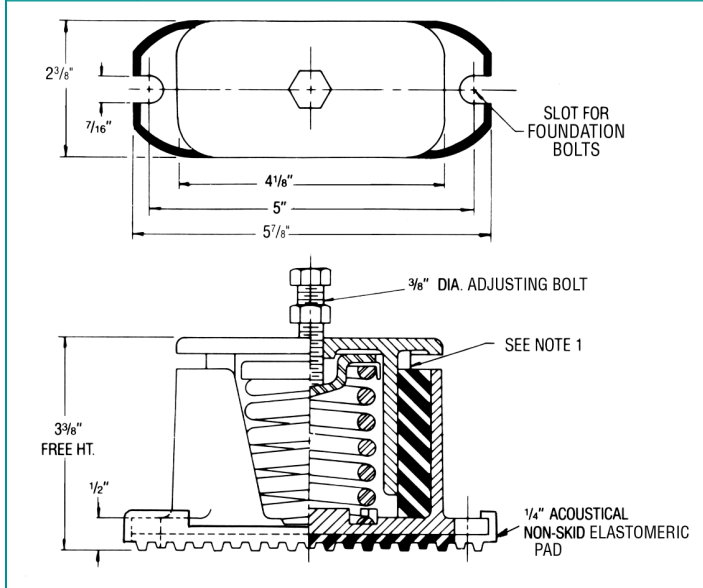


DFA Sales
www.Korfund.com
info@Korfund.com

**B/C/D
SERIES**

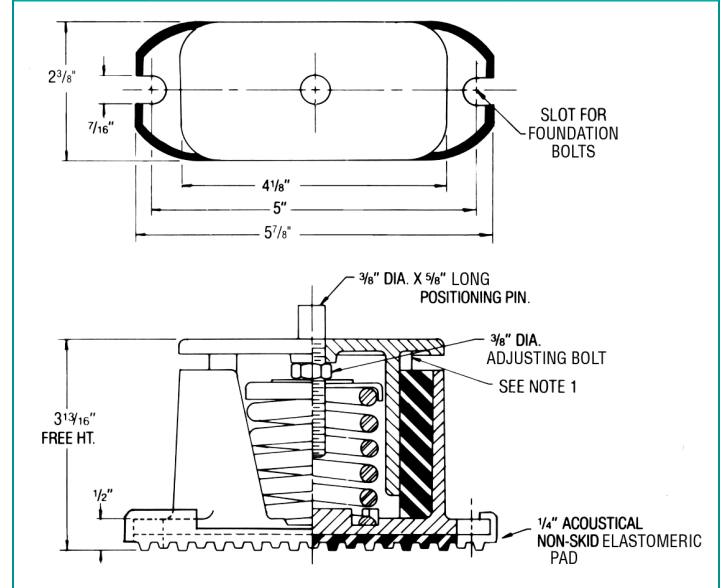
TECHNICAL

TYPE BE			
MODEL #	MAX LOAD, lbs.	COLOR CODE	DEFLECTION ins.
BE-11	60	Blue	1.30
BE-12	100	Orange	1.30
BE-13	165	Brown	1.20
BE-14	260	Black	1.00
BE-16	370	Yellow	0.80
BE-17	450	Red	0.50
BE-18	700	Green	0.50



NOTE 1: To level equipment adjust mountings so that upper housing clears lower housing by at least 1/4" and not more than 1/2".

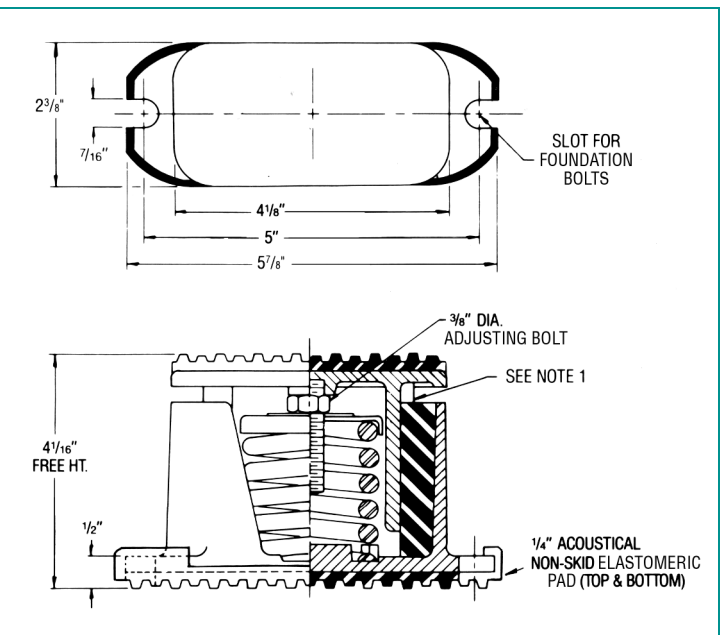
TYPE BP			
MODEL #	MAX LOAD, lbs.	COLOR CODE	DEFLECTION, ins.
BP-11	60	Blue	1.30
BP-12	100	Orange	1.30
BP-13	165	Brown	1.20
BP-14	260	Black	1.00
BP-16	370	Yellow	0.80
BP-17	450	Red	0.50
BP-18	700	Green	0.50



NOTE 1: To level equipment adjust mountings so that upper housing clears lower housing by at least 1/4" and not more than 1/2".

TYPE BT			
MODEL #	MAX LOAD, lbs.	COLOR CODE	DEFLECTION, ins.
BT-11	60	Blue	1.30
BT-12	100	Orange	1.30
BT-13	165	Brown	1.20
BT-14	260	Black	1.00
BT-16	370	Yellow	0.80
BT-17	450	Red	0.50
BT-18	700	Green	0.50

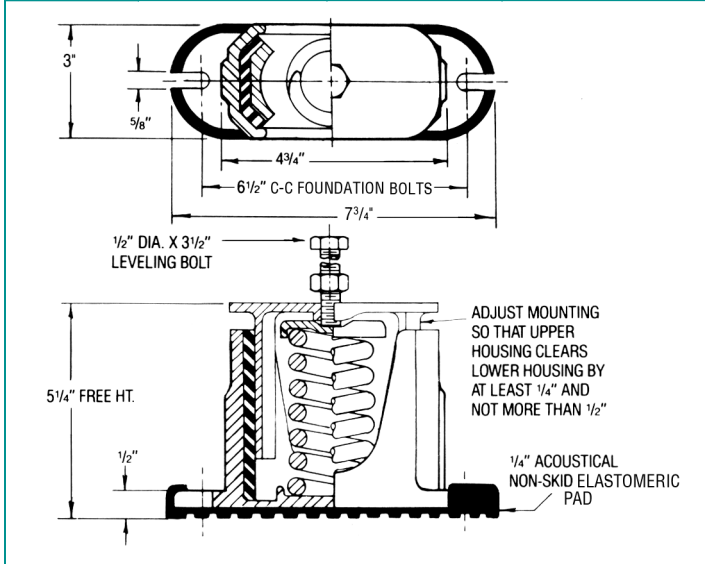
NOTE 1: To level equipment adjust mountings so that upper housing clears lower housing by at least 1/4" and not more than 1/2".





TYPE CE-1

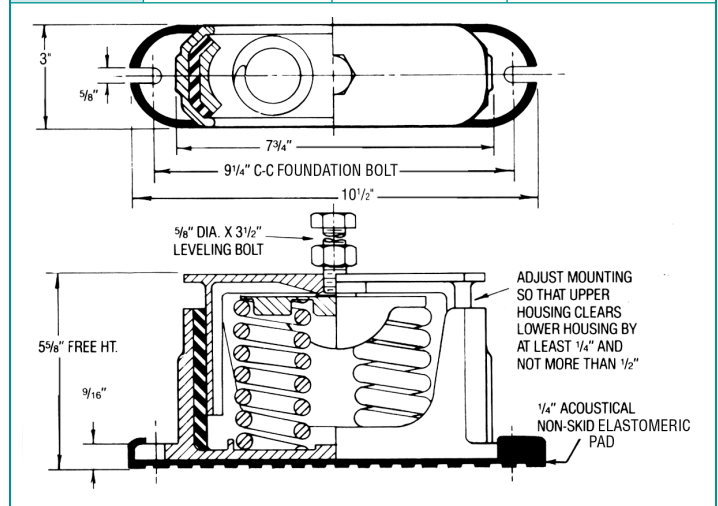
MODEL #	MAX. LOAD, lbs.	COLOR CODE	DEFLECTION, ins.
CE-1-19	85	Pink	1.36
CE-1-21	115	Black	1.31
CE-1-22	170	Blue	1.28
CE-1-23	225	Yellow	1.26
CE-1-24	325	Brown	1.23
CE-1-25	450	Red	1.22
CE-1-26	600	Purple	1.17
CE-1-27	750	Orange	1.06
CE-1-28	900	Green	1.02
CE-1-31	1100	Gray	0.83
CE-1-32	1300	White	0.74
*CE-1-35	1500	Gold	0.70



* Free height 1/2" higher than shown.

TYPE CE-2

MODEL #	MAX. LOAD, lbs.	COLOR CODE	DEFLECTION, ins.
CE-2-25	900	Red	1.22
CE-2-26	1200	Purple	1.17
CE-2-27	1500	Orange	1.06
CE-2-28	1800	Green	1.02
CE-2-31	2200	Gray	0.83
CE-2-32	2600	White	0.74
*CE-2-35	3000	Gold	0.70

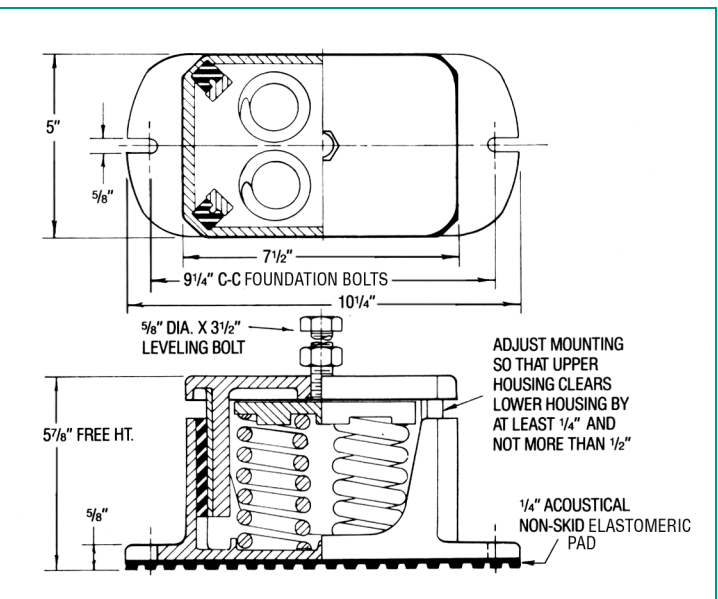


* Free height 1/2" higher than shown.

TYPE CE-4

MODEL #	MAX. LOAD, lbs.	COLOR CODE	DEFLECTION, ins.
CE-4-25	1800	Red	1.22
CE-4-26	2400	Purple	1.17
CE-4-27	3000	Orange	1.06
CE-4-28	3600	Green	1.02
CE-4-31	4400	Gray	0.83
CE-4-32	5200	White	0.74
*CE-4-35	6000	Gold	0.70

* Free height 1/2" higher than shown.



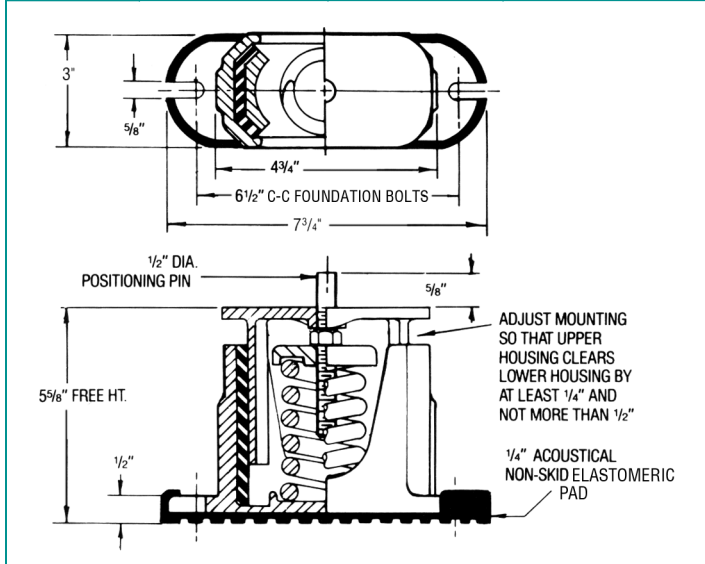
SPRING MOUNTS



DFA Sales
www.Korfund.com
info@Korfund.com

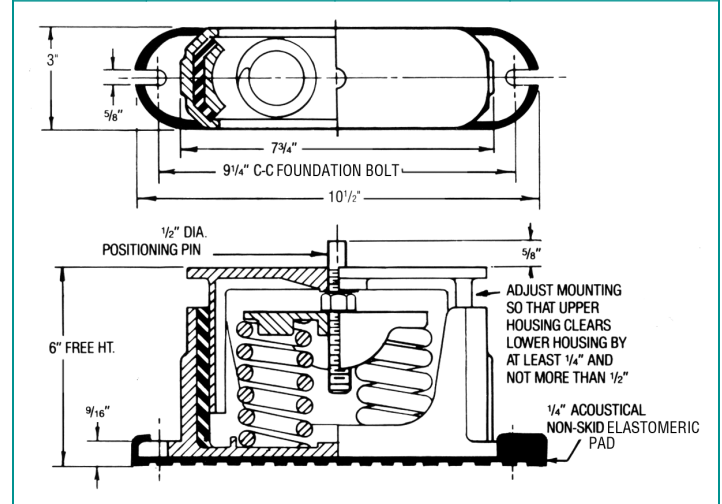
**B/C/D
 SERIES**

TYPE CP-1			
MODEL #	MAX. LOAD, lbs.	COLOR CODE	DEFLECTION, ins.
CP-1-19	85	Pink	1.36
CP-1-21	115	Black	1.31
CP-1-22	170	Blue	1.28
CP-1-23	225	Yellow	1.26
CP-1-24	325	Brown	1.23
CP-1-25	450	Red	1.22
CP-1-26	600	Purple	1.17
CP-1-27	750	Orange	1.06
CP-1-28	900	Green	1.02
CP-1-31	1100	Gray	0.83
CP-1-32	1300	White	0.74
*CP-1-35	1500	Gold	0.70



* Free height 1/2" higher than shown.

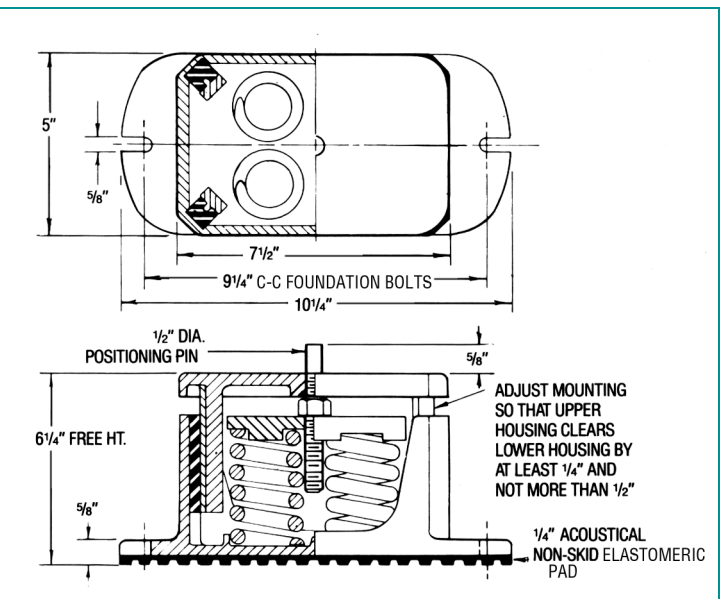
TYPE CP-2			
MODEL #	MAX. LOAD, lbs.	COLOR CODE	DEFLECTION, ins.
CP-2-25	900	Red	1.22
CP-2-26	1200	Purple	1.17
CP-2-27	1500	Orange	1.06
CP-2-28	1800	Green	1.02
CP-2-31	2200	Gray	0.83
CP-2-32	2600	White	0.74
*CP-2-35	3000	Gold	0.70



* Free height 1/2" higher than shown.

TYPE CP-4			
MODEL #	MAX. LOAD, lbs.	COLOR CODE	DEFLECTION, ins.
CP-4-25	1800	Red	1.22
CP-4-26	2400	Purple	1.17
CP-4-27	3000	Orange	1.06
CP-4-28	3600	Green	1.02
CP-4-31	4400	Gray	0.83
CP-4-32	5200	White	0.74
*CP-4-35	6000	Gold	0.70

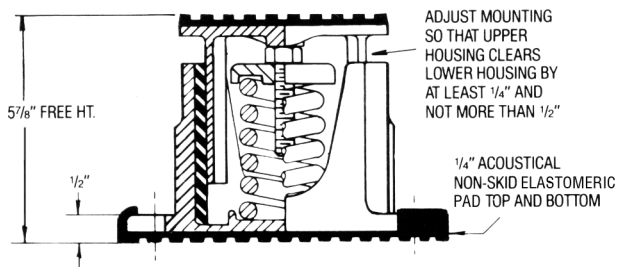
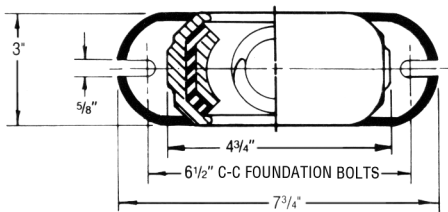
* Free height 1/2" higher than shown.





TYPE CT-1

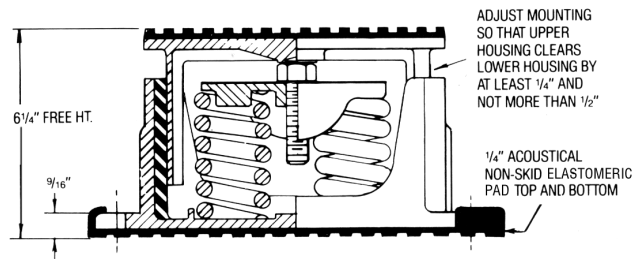
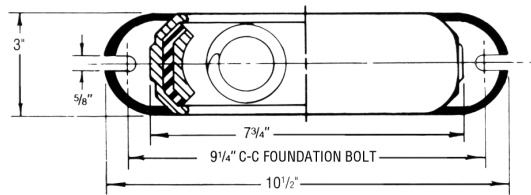
MODEL #	MAX. LOAD, lbs.	COLOR CODE	DEFLECTION, ins.
CT-1-19	85	Pink	1.36
CT-1-21	115	Black	1.31
CT-1-22	170	Blue	1.28
CT-1-23	225	Yellow	1.26
CT-1-24	325	Brown	1.23
CT-1-25	450	Red	1.22
CT-1-26	600	Purple	1.17
CT-1-27	750	Orange	1.06
CT-1-28	900	Green	1.02
CT-1-31	1100	Gray	0.83
CT-1-32	1300	White	0.74
*CT-1-35	1500	Gold	0.70



* Free height 1/2" higher than shown.

TYPE CT-2

MODEL #	MAX. LOAD, lbs.	COLOR CODE	DEFLECTION, ins.
CT-2-25	900	Red	1.22
CT-2-26	1200	Purple	1.17
CT-2-27	1500	Orange	1.06
CT-2-28	1800	Green	1.02
CT-2-31	2200	Gray	0.83
CT-2-32	2600	White	0.74
*CT-2-35	3000	Gold	0.70

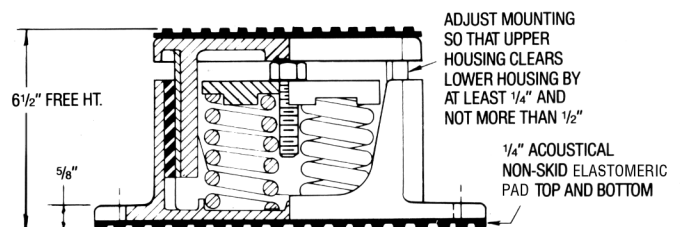
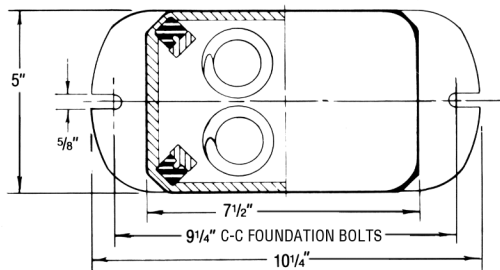


* Free height 1/2" higher than shown.

TYPE CT-4

MODEL #	MAX. LOAD, lbs.	COLOR CODE	DEFLECTION, ins.
CT-4-25	1800	Red	1.22
CT-4-26	2400	Purple	1.17
CT-4-27	3000	Orange	1.06
CT-4-28	3600	Green	1.02
CT-4-31	4400	Gray	0.83
CT-4-32	5200	White	0.74
*CT-4-35	6000	Gold	0.70

* Free height 1/2" higher than shown.



SPRING MOUNTS

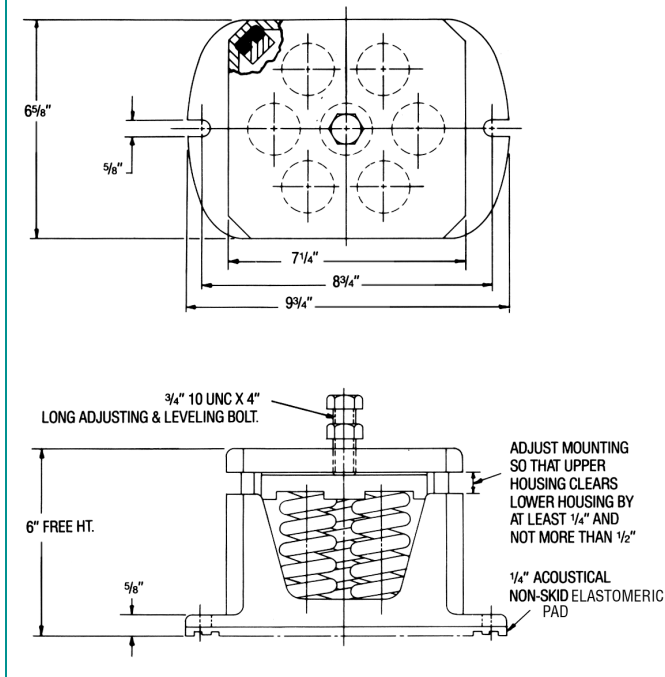


DFA Sales
www.Korfund.com
info@Korfund.com

**B/C/D
 SERIES**

TYPE CE-7

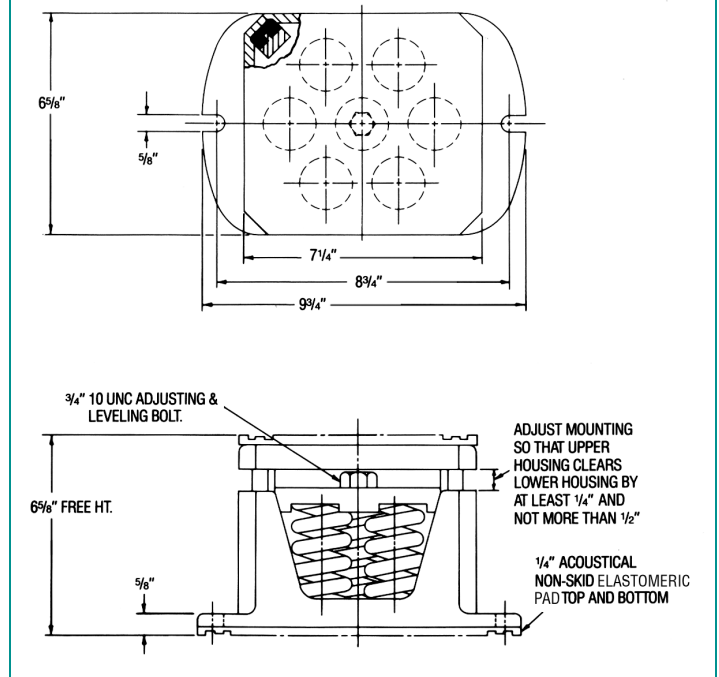
MODEL #	MAX. LOAD, lbs.	COLOR CODE	DEFLECTION, ins.
CE-7-25	3150	Red	1.22
CE-7-26	4200	Purple	1.17
CE-7-27	5250	Orange	1.06
CE-7-28	6300	Green	1.02
CE-7-31	7700	Gray	0.83
CE-7-32	9100	White	0.74
*CE-7-35	10500	Gold	0.70



* Free height 1/2" higher than shown.

TYPE CT-7

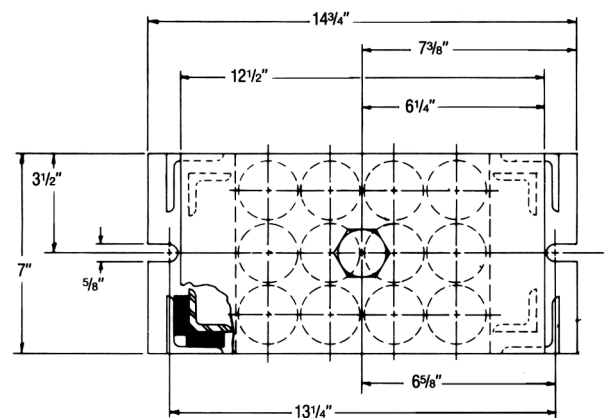
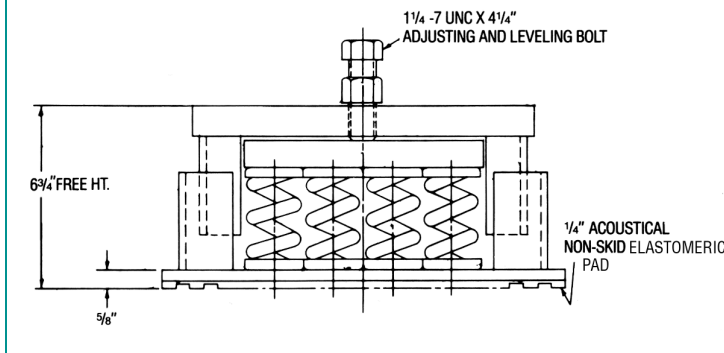
MODEL #	MAX. LOAD, lbs.	COLOR CODE	DEFLECTION, ins.
CT-7-25	3150	Red	1.22
CT-7-26	4200	Purple	1.17
CT-7-27	5250	Orange	1.06
CT-7-28	6300	Green	1.02
CT-7-31	7700	Gray	0.83
CT-7-32	9100	White	0.74
*CT-7-35	10500	Gold	0.70



* Free height 1/2" higher than shown.

TYPE CE-12 – WELDED STEEL CONSTRUCTION

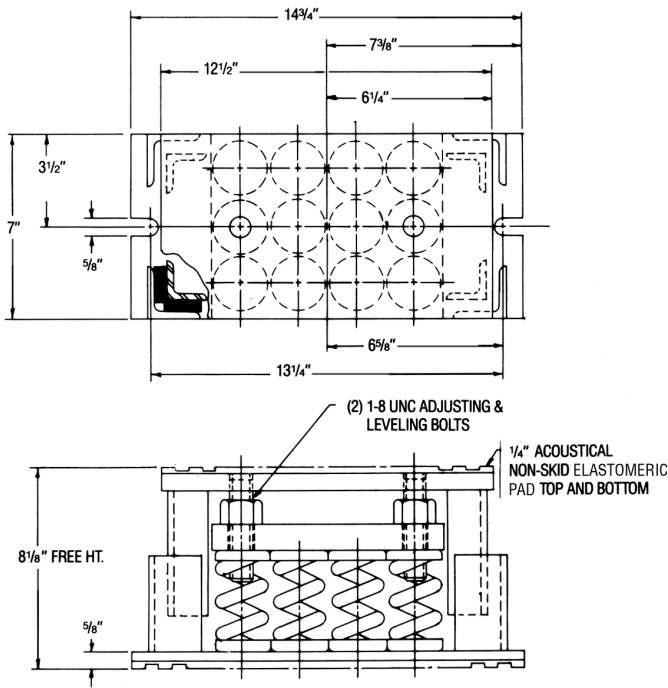
MODEL #	MAX. LOAD, lbs.	COLOR CODE	DEFLECTION, ins.
CE-12-25	5400	Red	1.22
CE-12-26	7200	Purple	1.17
CE-12-27	9000	Orange	1.06
CE-12-28	10800	Green	1.02
CE-12-31	13200	Gray	0.83
CE-12-32	15600	White	0.74





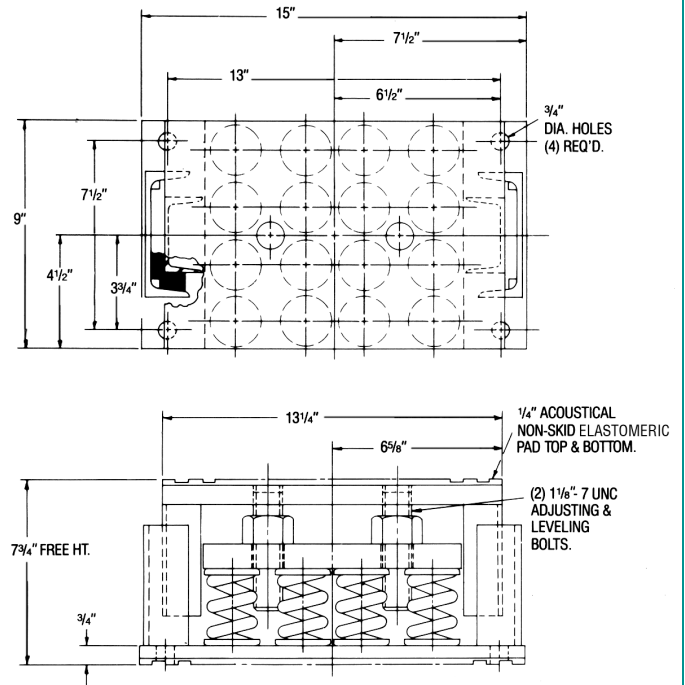
TYPE CT-12 – WELDED STEEL CONSTRUCTION

MODEL #	MAX. LOAD, lbs.	COLOR CODE	DEFLECTION, ins.
CT-12-25	5400	Red	1.22
CT-12-26	7200	Purple	1.17
CT-12-27	9000	Orange	1.06
CT-12-28	10800	Green	1.02
CT-12-31	13200	Gray	0.83
CT-12-32	15600	White	0.74



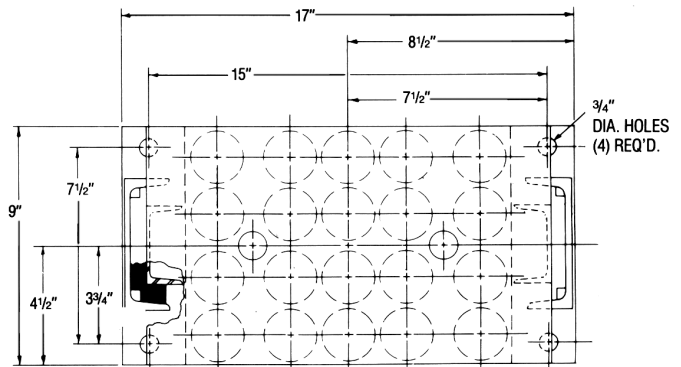
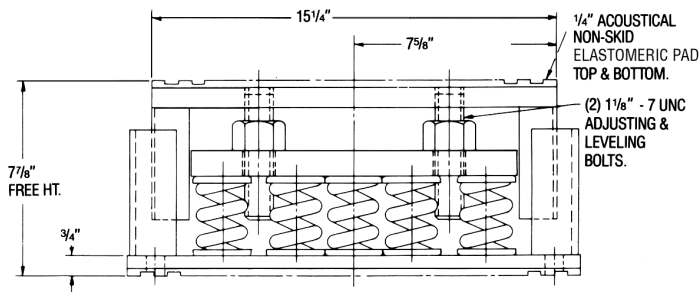
TYPE CT-16 – WELDED STEEL CONSTRUCTION

MODEL #	MAX. LOAD, lbs.	COLOR CODE	DEFLECTION, ins.
CT-16-26	9600	Purple	1.17
CT-16-27	12000	Orange	1.06
CT-16-28	14400	Green	1.02
CT-16-31	17600	Gray	0.83
CT-16~32	20800	White	0.74



TYPE CT-20 – WELDED STEEL CONSTRUCTION

MODEL #	MAX. LOAD, lbs.	COLOR CODE	DEFLECTION, ins.
CT-20-26	12000	Purple	1.17
CT-20-27	15000	Orange	1.06
CT-20-28	18000	Green	1.02
CT-20-31	22000	Gray	0.83
CT-20~32	26000	White	0.74



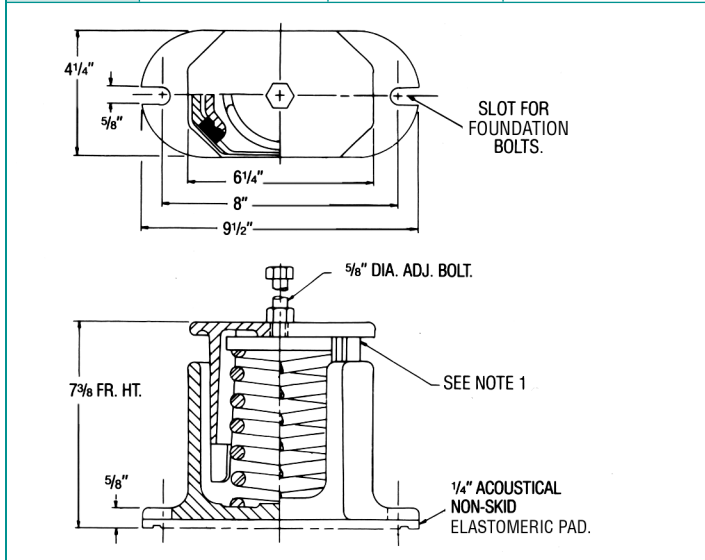
SPRING MOUNTS



DFA Sales
www.Korfund.com
info@Korfund.com

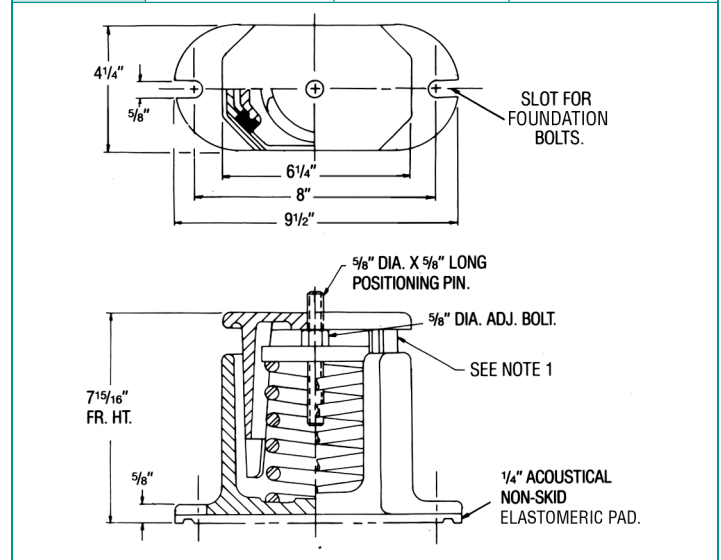
**B/C/D
SERIES**

TYPE DE			
MODEL #	MAX. LOAD, lbs.	COLOR CODE	DEFLECTION, ins.
DE-50	150	Blue	2.00
DE-51	276	Black	2.00
DE-510	426	Black/Blue	2.00
DE-52	500	Red	2.00
DE-520	650	Red/Blue	2.00
DE-521	776	Red/Black	2.00
DE-53	1000	Green	2.00
DE-530	1150	Green/Blue	2.00
DE-531	1276	Green/Black	2.00
DE-532	1500	Green/Red	2.00
DE-551	1676	Gray/Black	2.00
DE-552	1900	Gray/Red	2.00
DE-553	2200	Gray/Green	2.00



NOTE 1: To level equipment adjust mounting so that upper housing clears lower housing at least 1/4" and not more than 1".

TYPE DP			
MODEL #	MAX. LOAD, lbs.	COLOR CODE	DEFLECTION, ins.
DP-50	150	Blue	2.00
DP-51	276	Black	2.00
DP-510	426	Black/Blue	2.00
DP-52	500	Red	2.00
DP-520	650	Red/Blue	2.00
DP-521	776	Red/Black	2.00
DP-53	1000	Green	2.00
DP-530	1150	Green/Blue	2.00
DP-531	1276	Green/Black	2.00
DP-532	1500	Green/Red	2.00
DP-551	1676	Gray/Black	2.00
DP-552	1900	Gray/Red	2.00
DP-553	2200	Gray/Green	2.00



NOTE 1: To level equipment adjust mounting so that upper housing clears lower housing at least 1/4" and not more than 1".

TYPE DT			
MODE #	MAX. LOAD, lbs.	COLOR CODE	DEFLECTION, ins.
DT-50	150	Blue	2.00
DT-51	276	Black	2.00
DT-510	426	Black/Blue	2.00
DT-52	500	Red	2.00
DT-520	650	Red/Blue	2.00
DT-521	776	Red/Black	2.00
DT-53	1000	Green	2.00
DT-530	1150	Green/Blue	2.00
DT-531	1276	Green/Black	2.00
DT-532	1500	Green/Red	2.00
DT-551	1676	Gray/Black	2.00
DT-552	1900	Gray/Red	2.00
DT-553	2200	Gray/Green	2.00

NOTE 1: To level equipment adjust mounting so that upper housing clears lower housing at least 1/4" and not more than 1".

